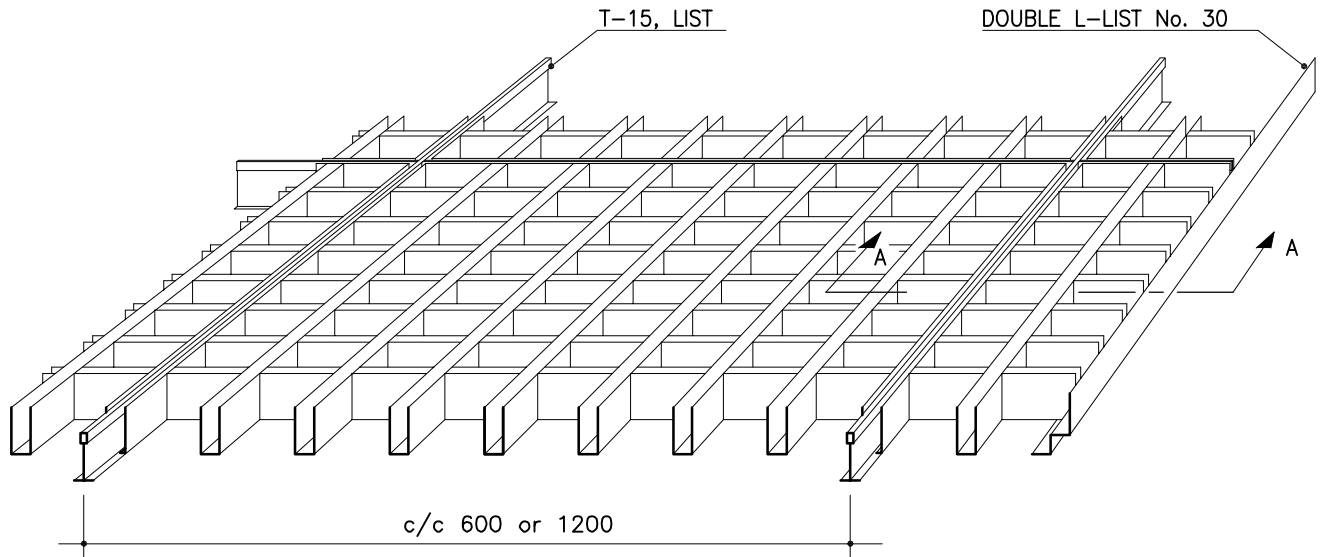
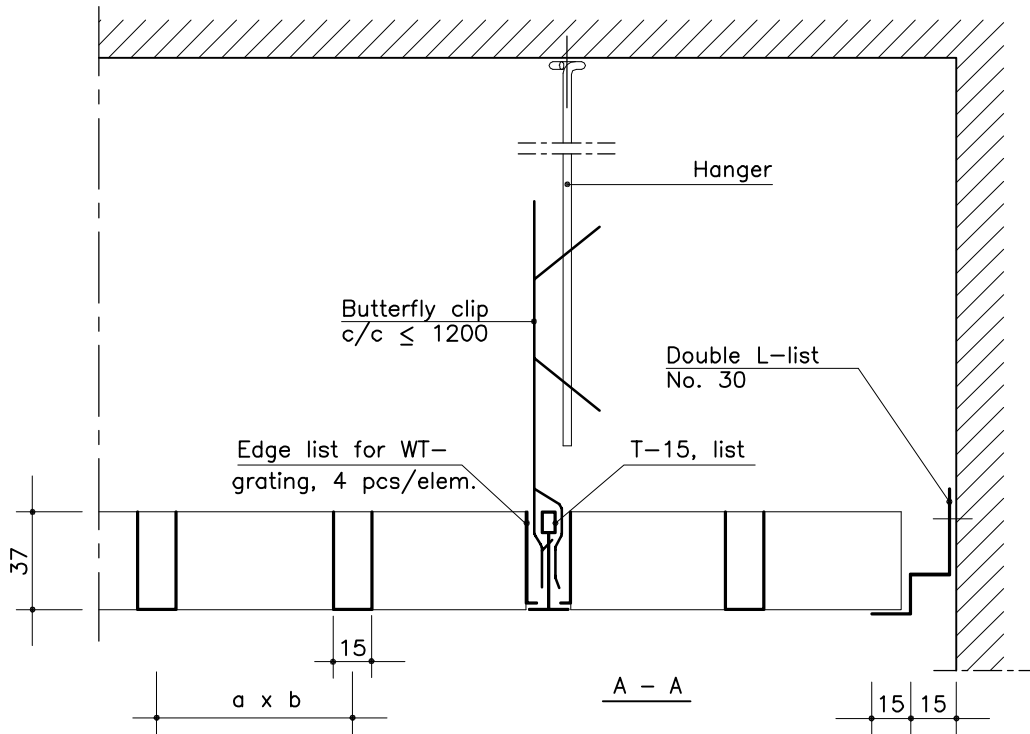


# 5.9 GRATING LAUTEX WT



T-15 suspension system for WT-gratings and SM-cassettes.



### STANDARD WT-GRATING

Material	0.4 mm Al
Element size	600x600, 600x1200
Height	37 mm
Cell size, a x b mm	75   100   150   200
Finish	Stove enamelled

### OTHER ALTERNATIVES

Element size/ cell size	Other cell and element sizes according to order.
Finish	e.g. high gloss anodized
Other special solutions	Please contact our technical information department.

STRUCTURAL DETAILS SEE LEAFLET 6.1

All products are subject to modifications without prior notice.  
2001



## OY LAUTEX AB

P.O. Box 58 FIN-03101 Nummela Finland  
Tel +358 (0)9 224 8810 Fax +358 (0)9 222 5447  
E-mail: sales@lautex.com www.lautex.com

