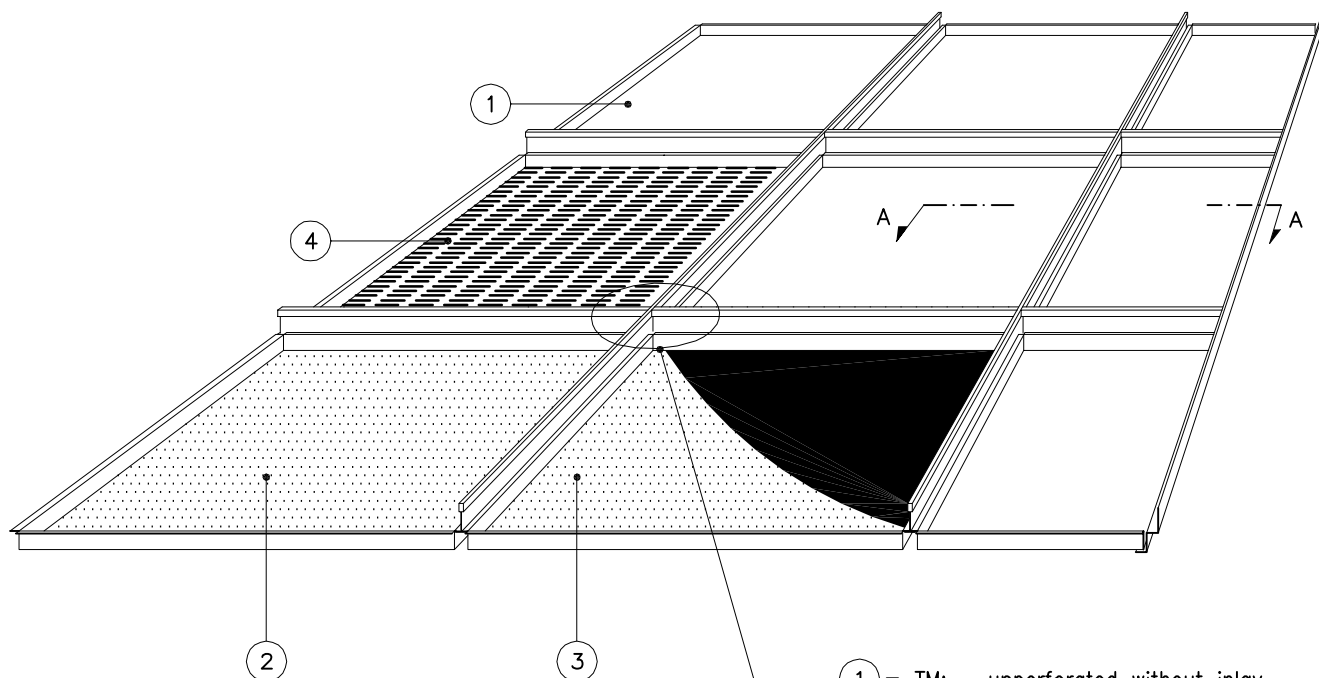
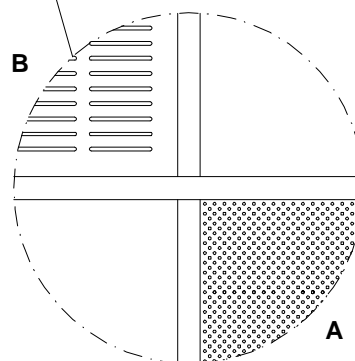
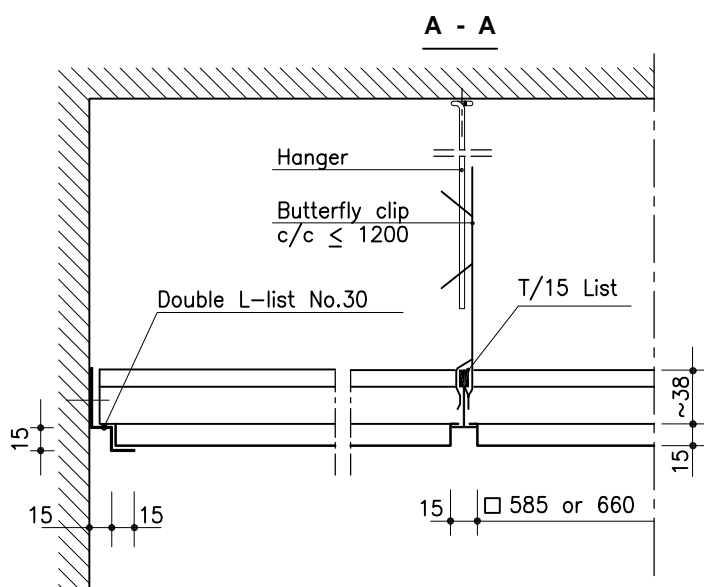


## 4.9 CASSETTE LAUTEX TM-600 AND -675



- ① = TM; unperforated without inlay
- ② = TMR; perforated
- ③ = TMRT; perforated and acoustic felt
- ④ = TMRT; stripe perforation, acoustic inlay



- A WHOLE AREA PERFORATION, STD.  $\varnothing$  2,0 mm
- B STRIPED PERFORATION 2,5 x 40 mm, PLEASE CONTACT TECHNICAL INFORMATION DEPARTMENT

### STANDARD TM-CASSETTE

Material	0.5 mm Fe
Module size	600 x 600, 675 x 675 mm
Height	15 mm
Perforation	$\varnothing$ 2.0 mm
Inlay	acoustic felt
Finish	stove enamelled

### OTHER ALTERNATIVES

Material	0.7 mm Al
Height	-
Perforation	$\varnothing$ 3.5 mm or stripe perforation 2,5 x 40 mm
Inlay	wool in plastic
Finish	high gloss anodized (Al)
Other special solutions	Please contact technical information department.

STRUCTURAL DETAILS SEE LEAFLET 6.1

All products are subject to modifications without prior notice.  
2001



# OY LAUTEX AB

P.O. Box 58 FIN-03101 Nummela Finland  
Tel +358 (0)9 224 8810 Fax +358 (0)9 222 5447  
E-mail: sales@lautex.com www.lautex.com

