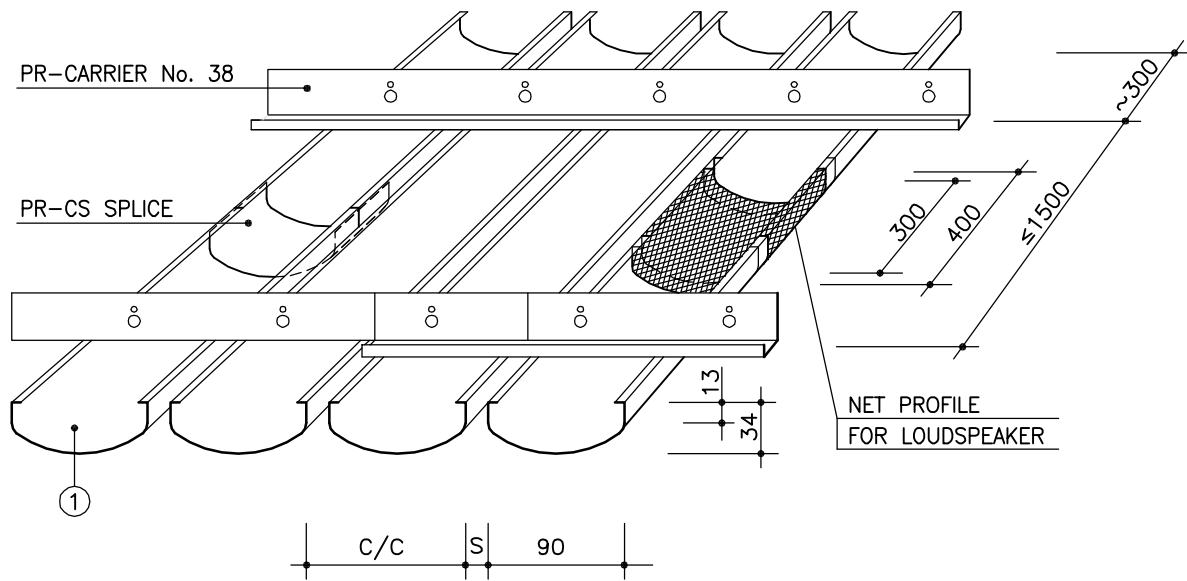
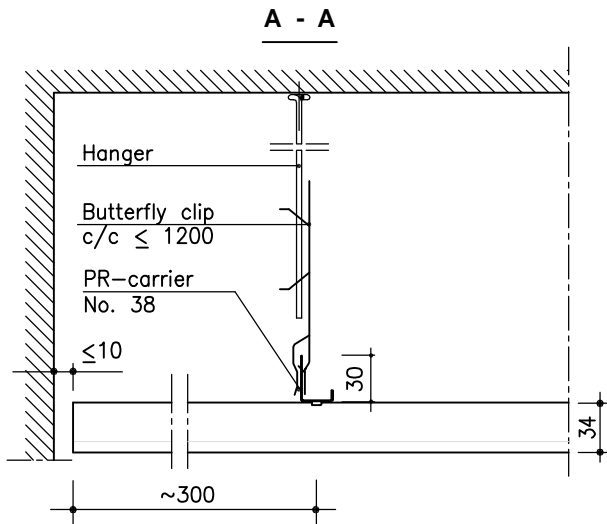


### 3.21 PROFILE LAUTEX PR-CS



① = PR-CS; unperforated without acoustic inlay



#### PR-CS PROFILE

Material	0.5 mm Al
Width	90 mm
Height	34 mm
Length	1250 – 6500 mm
Air space	recommended air space = 10 mm also according to order but >10 mm
Finish	stove enamelled high gloss anodized (Al)
Other special solutions	please contact our technical information department

STRUCTURAL DETAILS IN LEAFLET 6.1

All products are subject to changes without prior notice.  
2001



**OY LAUTEX AB**

P.O. Box 58 FIN-03101 Nummela Finland  
Tel +358 (0)9 224 8810 Fax +358 (0)9 222 5447  
E-mail: sales@lautex.com www.lautex.com

