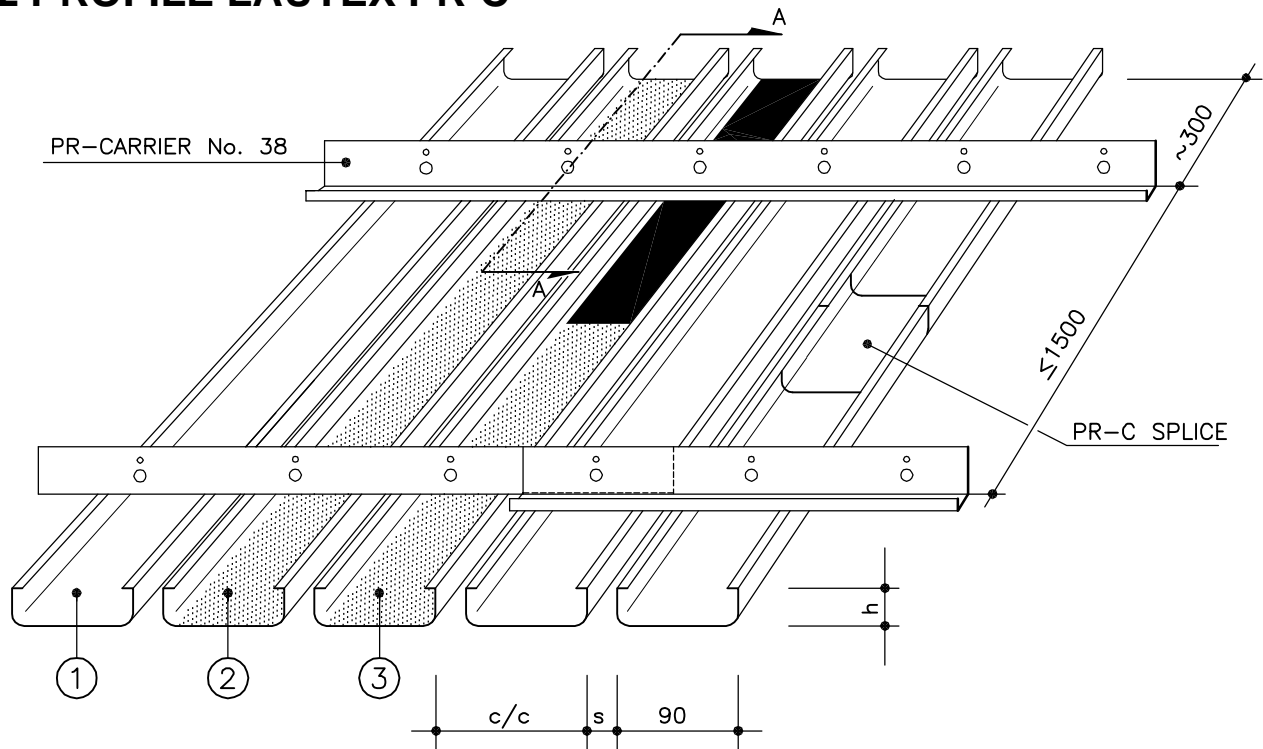
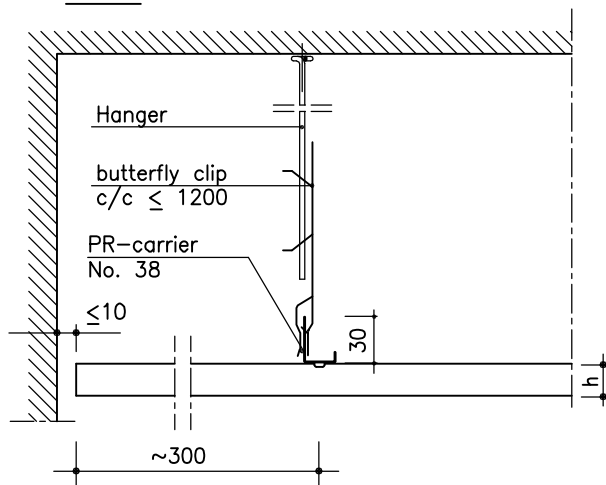


3.2 PROFILE LAUTEX PR-C



A - A



- ① = PR-C; unperforated without acoustic inlay
- ② = PR-CR; perforated at the bottom
- ③ = PR-CRT; perforated at the bottom and acoustic inlay

STANDARD PR-C PROFILE

Material	0.5 mm Al
Width	90
Height h	25
Length	1250-6500 mm
Air gap s	20 mm
Perforation	∅ 2.0 mm
Inlay	acoustic felt
Finish	stove enamelled

SPECIAL PR-C PROFILE

Material	0.7 mm Al, 0.5 mm Fe
Width	-
Height	-
Length	<1250 mm
Air gap s	according to order, except ≥10 mm
Perforation	∅ 1.1 mm
Inlay	wool in plastic
Finish	high gloss anodized (Al)
PR-carrier for diagonal assembly (45°)	Air gap according to order, except ≥10 mm.
Other special solutions	Please, contact our technical information department.

STRUCTURAL DETAILS SEE LEAFLET 6.1

All products are subject to modifications without prior notice.
2001



OY LAUTEX AB

P.O. Box 58 FIN-03101 Nummela Finland
Tel +358 (0)9 224 8810 Fax +358 (0)9 222 5447
E-mail: sales@lautex.com www.lautex.com

